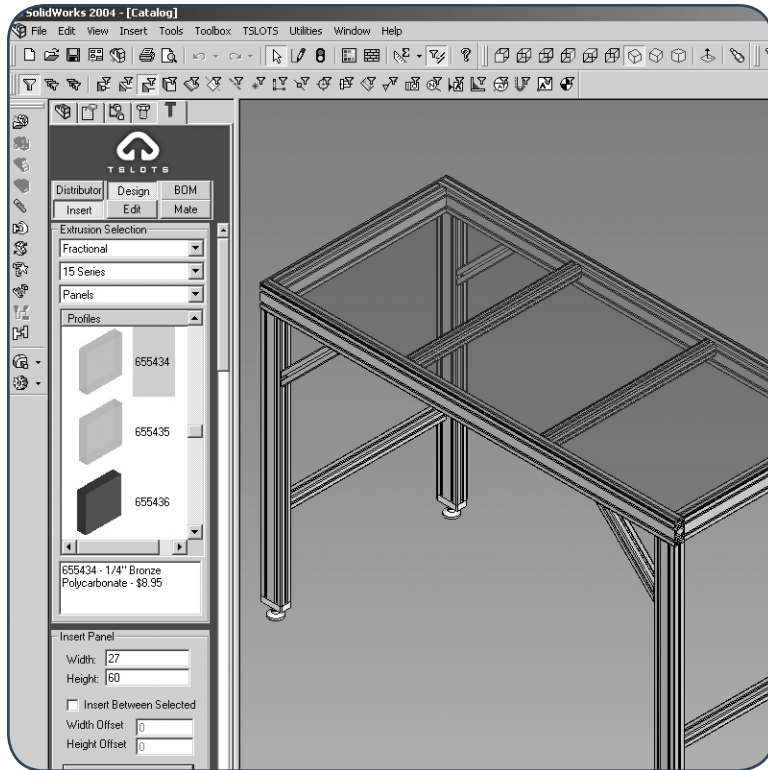


TSLOTS DesignPro™ for SolidWorks®



The TSLOTS DesignPro™ is an add-in tool for SolidWorks® software that makes designing with structural aluminum extrusions faster and easier than ever before. The TSLOTS DesignPro™:

- Reduces the time it takes to create drawings by more than 50% over manual methods
- Creates an automatic bill of materials (BOM)
- Provides real-time pricing
- Allows estimation of shipping costs

The TSLOTS DesignPro™ also allows users to send a request for quote (RFQ), place orders, or check the status of orders online. The TSLOTS DesignPro™ is available to users of SolidWorks®.

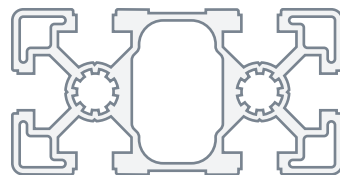
- Download it today at www.TSLOTS.com
- TSLOTS is the only structural aluminum extrusion offered factory direct from an aluminum extruder
- In addition to TSLOTS extrusions, Futura provides custom extrusions
- TSLOTS Engineers are available to offer design assistance
- Futura Industries has been in business since 1946
- TSLOTS are compatible with other t-slotted extrusion systems:



10/15 SERIES



25/40 SERIES



30/45 SERIES



“Very easy to assemble.”

What is TSLOTS?

TSLOTS is a line of **structural aluminum extrusions** designed to make assembly of modular applications fast and easy.

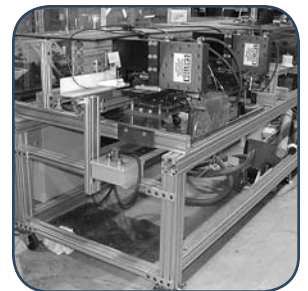
Made from a 6063 aluminum alloy with a T6 temper, TSLOTS give extrusions **maximum strength** yields with **good machining characteristics**. Check out the application pictures to see the diversity of the TSLOTS design.

What do you want to build today?®

THE TSLOTS ADVANTAGE



TSLOTS by Futura Industries is the only t-slotted aluminum extrusion product that is offered factory direct by an aluminum extruder! This means that when you purchase TSLOTS aluminum extrusions you will receive the most consistent products in the industry. When adding onto an existing structure or building a new machine you won't have to worry about color consistency and finish quality because all TSLOTS extrusions are made using the same



standards, time after time. Additionally, TSLOTS can be custom anodized in colors like blue, red, black and orange. Contact the TSLOTS Engineering Department for details.

Futura believes that for us to satisfy our customers expectations we must be **RELIABLE** and **RESPONSIVE** to their unique needs. Try TSLOTS today, we will earn your repeat business.

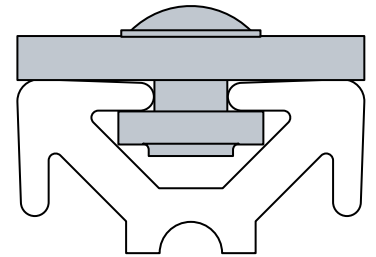


*We will definitely use TSLOTS in future projects.
It is very rare to see such a complete package fro*

ALUMINUM TSLOTS DESIGN VS. WELDED STEEL

Aluminum is a lightweight alternative to steel. The concept behind TSLOTS aluminum extrusions is to make assembly of structures faster and easier than using welded steel.

That's because the main component of the system is the T-Slot design: insert a T-Nut and fastener into a TSLOTS extrusion and tighten. It's that simple. No welding or grinding required. All you need to tighten your TSLOTS assembly is a few simple hand tools.



SPRING LOCK FEATURE WITH T-NUT AND FASTENER

When you are done, you have a durable, strong, lightweight structure that's functional and attractive. The high-strength extruded aluminum profiles have a clear anodize finish that is scratch and corrosion resistant. Because of the anodize finish, your structure never needs painting and is maintenance free.

THINK OF THE POSSIBILITIES



Have you thought of the endless TSLOTS applications? We have!

- Machine Guards
- Machine Bases
- Machine Frames
- Workbenches
- Assembly Stations
- Conveyor Frames
- Test Equipment
- Tool Racks
- Test Tables
- Trade Show Booths
- Store Fixtures
- Sound Enclosures
- Linear Motion Devices
- Clean Room Applications

From a manufacturer, the DesignPro is awesome.”

Rodolfo B ~ Dynamic Concepts

FROM ORDER TO DELIVERY

To meet the many different demands of our customers, TSLOTS can be purchased and shipped in many different forms.

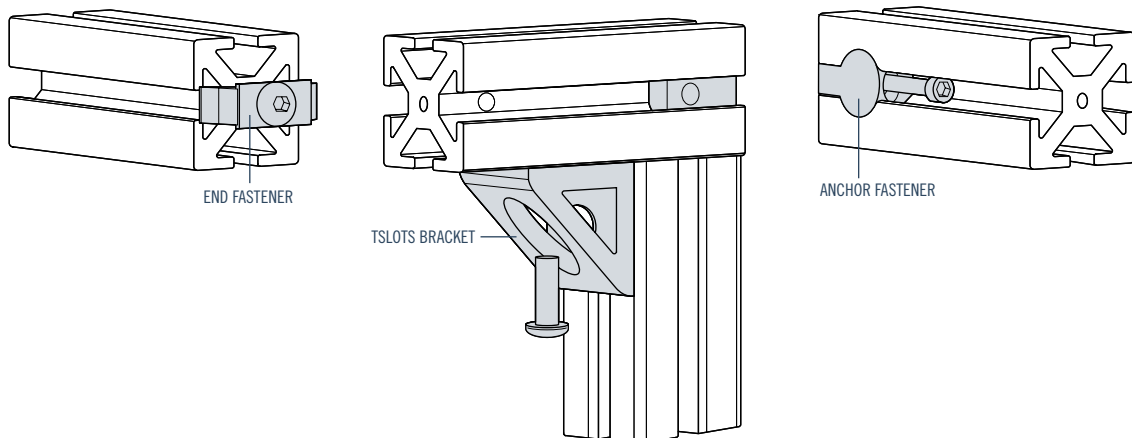
- **Extrusion lengths and components:** We ship your order to you in stocked lengths with packaged components. This way you can fabricate and assemble your design in-house.
- **Kitted:** We take all of the pre-process work out of your orders by fabricating and machining (cut to length, drill and tap) your order for you. Your order will arrive to you “kitted”, ready for assembly.
- **Assembled:** Your order will come to you assembled, ready to use.



THE FUTURA EXPERIENCE

From the moment you contact us, our staff will take the necessary steps to ensure your TSLOTS order gets to you, when you need it. Our staff of engineers can answer any design questions you may have and, if needed, they will even help you design your project.

THREE WAYS TO FASTEN TSLOTS EXTRUSIONS





FUTURA INDUSTRIES
RELIABLE. RESPONSIVE.

PO Box 160350 • Bldg H-11 Freeport Center • Clearfield, UT 84016-0350
801.773.6282 • 800.824.2049 *toll free* • 877.777.5753 *toll free fax* • www.tslots.com